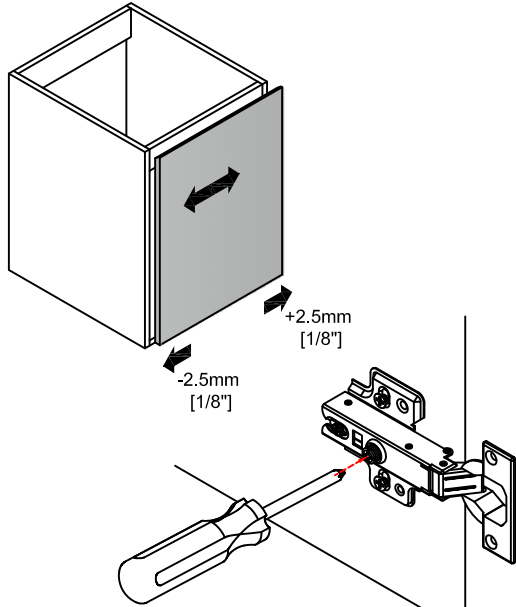


BAGNO ITALIA

ADJUSTMENT DOOR INSTRUCTIONS

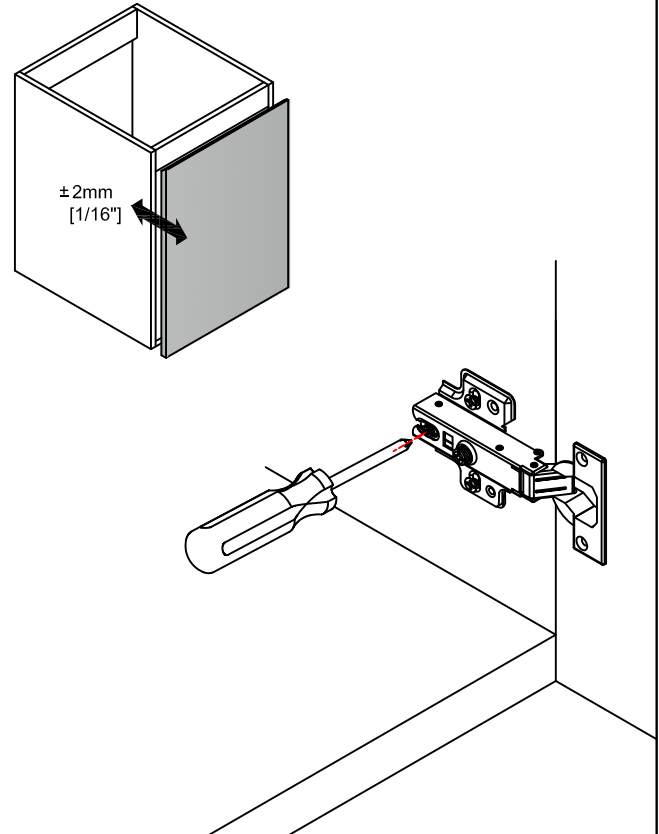
Coverage Distance

Rotate screw to the right: Coverage distance decrease (-)
Rotate screw to the left: Coverage distance increase (+)



Depth Distance

Release the screw, adjust the distance between the door & vanity and tighten the fastening screw.



Height Distance

Release the base screw, adjust the height of the door, and then tighten the screw.

