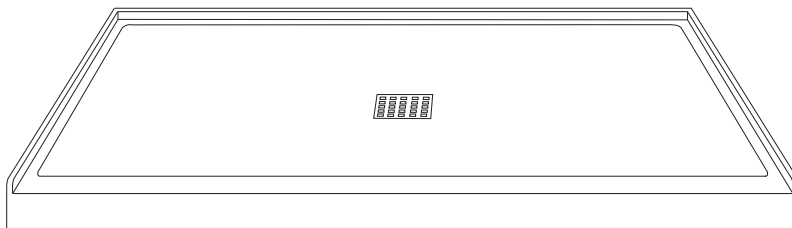
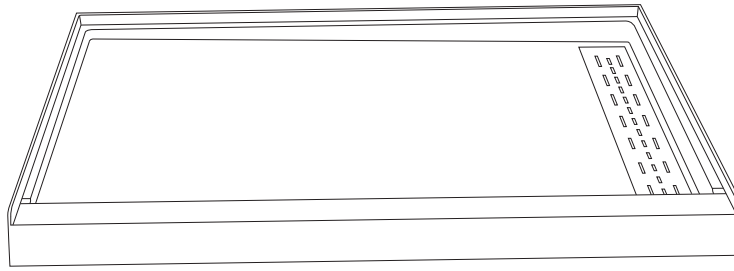
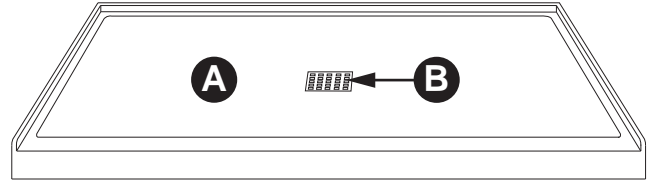
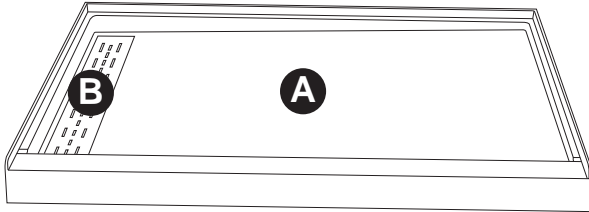


## SMC Shower Base Installation



## PACKAGE CONTENTS

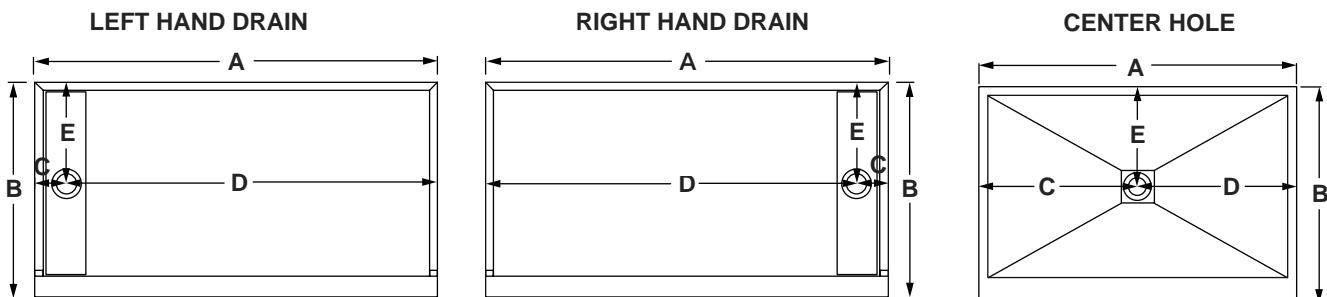
PART	DESCRIPTION	QUANTITY
A	SMC Shower Base	1
B	Stainless Steel Drain Cover	1



## SHOWER FLOOR & DRAIN OPENING - CONSTRUCTION DIMENSIONS

ITEM:	Nominal Sz.	Dim. A	Dim. B	Dim. C	Dim. D	Dim. E
BBLN-4832-R	48" x 32"	48"	32"	4.375"	43.625"	15"
BBLN-4832-L	48" x 32"	48"	32"	4.375"	43.625"	15"
BBLN-4836-R	48" x 36"	48"	36"	4.375"	43.625"	17"
BBLN-4836-L	48" x 36"	48"	36"	4.375"	43.625"	17"
BBLN-6030-R	60" x 30"	60"	30"	4.375"	55.625"	14"
BBLN-6030-L	60" x 30"	60"	30"	4.375"	55.625"	14"
BBLN-6032-R	60" x 32"	60"	32"	4.375"	55.625"	15"
BBLN-6032-L	60" x 32"	60"	32"	4.375"	55.625"	15"
BBLN-6034-R	60" x 34"	60"	34"	4.375"	55.625"	16"
BBLN-6034-L	60" x 34"	60"	34"	4.375"	55.625"	16"
BBLN-6036-R	60" x 36"	60"	36"	4.375"	55.625"	17"
BBLN-6036-L	60" x 36"	60"	36"	4.375"	55.625"	17"
BBCN-4832-C	48" x 32"	48"	32"	24"	24"	15.1"
BBCN-4836-C	48" x 36"	48"	36"	24"	24"	17.1"
BBCN-6032-C	60" x 32"	60"	32"	30"	30"	15.1"
BBCN-6034-C	60" x 34"	60"	34"	30"	30"	16.1"
BBCN-6036-C	60" x 36"	60"	36"	30"	30"	17.1"

We can not anticipate every possible installation situation or condition. The variety of installations possible for this shower floor may require procedures other than those shown. Plan ahead to ensure that wall framework construction is correctly sized, plumb, and square.



\*Measurements are  $\pm 1/8"$  and subject to change without notice

\* Make sure the drain hole in the subfloor or slab is large enough (6" diameter recommended) and aligns with the hole in the shower floor.

## SAFETY INFORMATION

---

Please read and understand this entire manual and the appropriate wall panel installation manual before attempting to install the product.

### **WARNING**

• DO NOT proceed if any doubt arises about the correct or safe method of performing anything found in this manual. If necessary, hire or consult a trained professional for expert assistance before continuing.

### **CAUTION**

Use care when opening the box so you do not damage the shower base.

## **PREPARATION**

---

**Estimated Installation Time:** 60 minutes

Tools Required for Assembly (not included): Level, Shims, Drain Fitting, Silicone/ Plumber's Putty, Wrench, 5 Gallon Empty Bucket, Thin Set Mortar & Water, 1/4" - 1/2" Grooved Trowel.

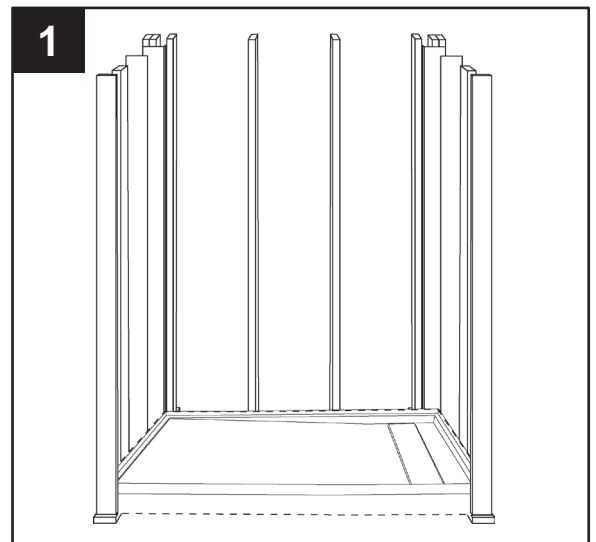
The stud preparation is critical for the installation of the shower base. It is essential the stud pocket be constructed square and plumb according to the roughing in information provided.

1. Please inspect the shower base for breakage and report any damage to the store of purchase. Allow the shower base to acclimate to room temperature before installing.
2. Clean and scrape the floor of the shower base alcove. This space must be free of any debris in order to get a proper adhesion with the thinset mortar.
3. Measure the size of the alcove to insure that the base and panels fit properly.
4. Trial fit the base in the alcove and make sure that the drain location lines up properly with the shower base. Place a level on the base, check that the base sits level on the floor if needed, use shims to level the base in the alcove. Note the shim locations before removing the base. Lean the base back or remove from the alcove.

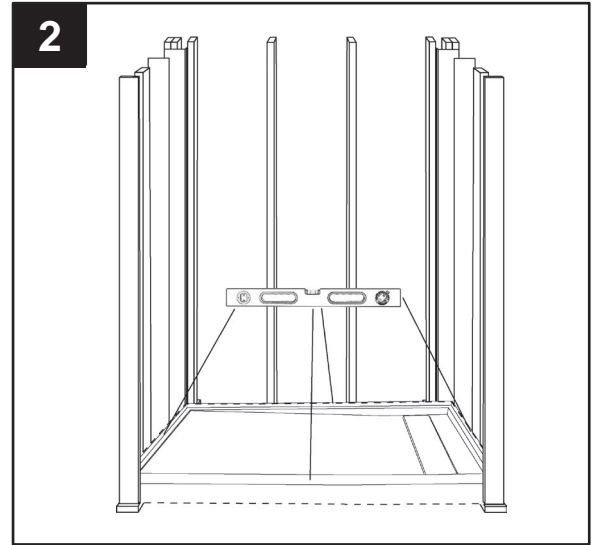
### **1. INSTALLING THE PAN**

Install the drain fitting into the shower pan. Follow the installation instructions that came with the drain. Plumber's putty or silicone are acceptable to use with the drain.

Mix and apply thin-set mortar to the floor, using the notched trowel. Spread the mixture to achieve a depth necessary to fill the voids in the floor and enable the pan to sit level. A 50 lb. bag of thin-set should provide at least 45-50 square feet of coverage. All supporting points should have contact with the thinset mortar.



2. After applying the thin-set, replace the shims (if necessary) in the proper location and set the pan into place. Make sure the pan is resting level on the thin-set and shims and centered in opening.
3. Clean the area at the threshold of any excess thinset. Allow the thin-set and shower pan to cure for 24 hours before working in the pan area. Be sure to protect the pan floor after installation, using card board sheeting or a like material, until the complete project is finished
4. Before proceeding to install the wall system, flood test the shower pan for proper drainage.



## **CARE AND MAINTENANCE**

---

Simply wipe the surface with a damp towel to remove watermarks and residues. For basic stains, clean with mild detergent or general purpose cleaner. For cleaning corners and seams, spray with mildew cleaner.

## **WARRANTY**

---

The manufacturer provides a LIMITED FIVE (5) YEAR WARRANTY for its **BAGNO ITALIA**® Shower Base to be free of manufacturing defects in materials and workmanship. If this product is found to be defective in materials or workmanship, after inspection by an authorized representative, we will repair, or at our option, exchange the product for a similar model. This warranty is valid for a period of five (5) years, so long as it remains in use in its original place of installation.

This warranty covers only products installed in accordance with the installation instructions, used as recommended and not damaged due to misuse, abuse or improper installation. It does not apply to changes made to the product by professional contractors or installers.

The warranty applies only to the original purchaser and installation of these products in residential applications. It does not apply to commercial applications.

The manufacturer's option to repair or exchange the products under this warranty does NOT cover any labor or other costs of removal or installations, nor shall the manufacturer be responsible for any other incidental or consequential damages attributable to a product defect or to the repair or exchange of a defective product.