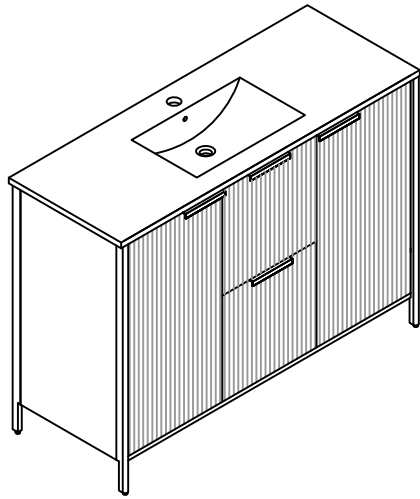
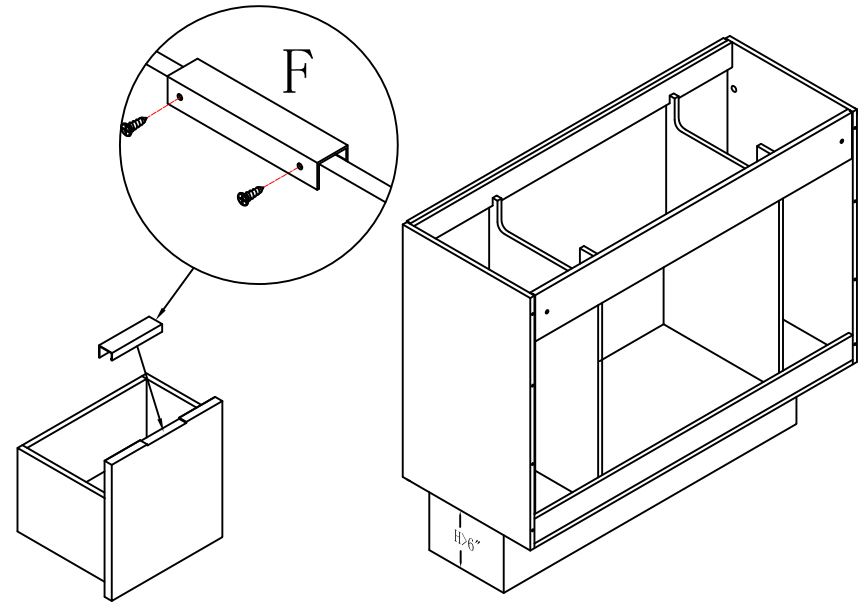


Item No. :MILANO - 48"



## Step 1

Remove the drawers and place the cabinet on the ground at a height higher than 6 inch.

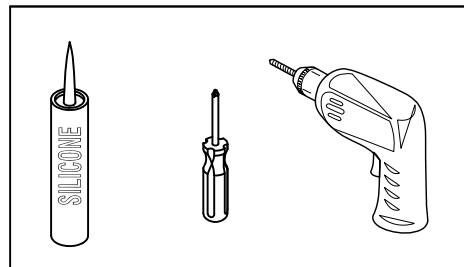


## Hardware

NO.	Draw	QTY
A		2
B		2
C		2
D		8
E		8
F	 Handle (Screws T4*0.55")	3
G	 (M4*0.47")	8
H	 Back Feet (Right)	1

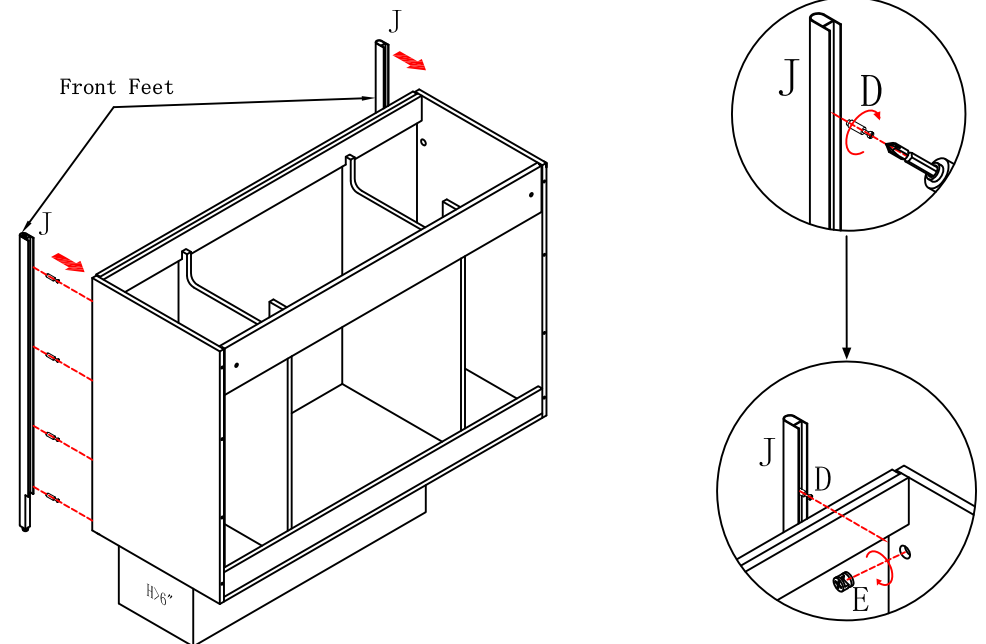
NO.	Draw	QTY
I	 Back Feet (Left)	1
J	 Front Feet	2

## Recommended tools

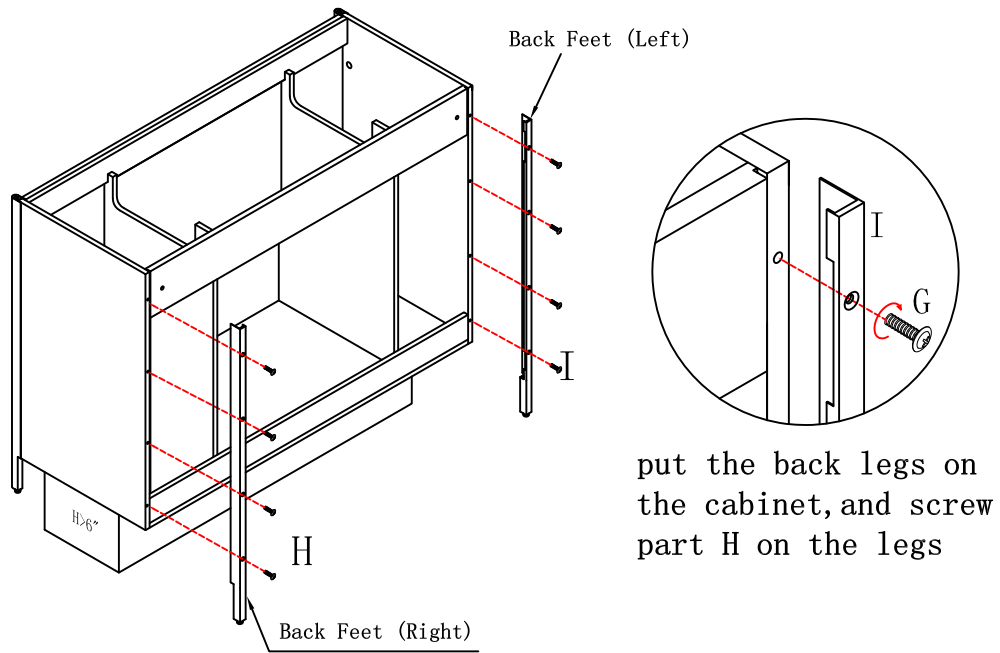


## Step 2

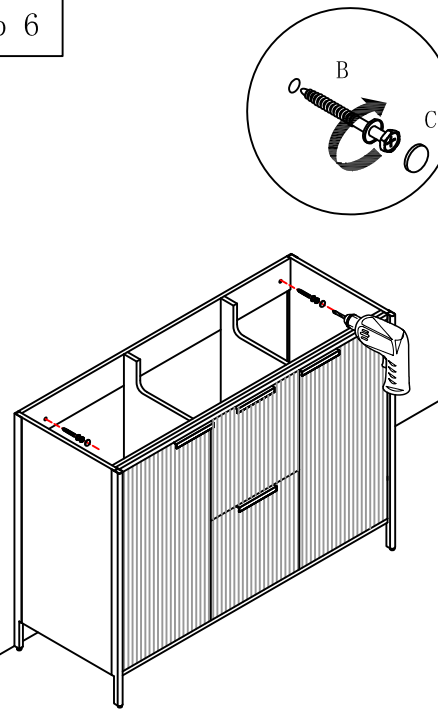
Install screw part D on the front legs, put the legs on the cabinet and screw the cam-lock E tightly, re-cover the decorative cover on the panel.



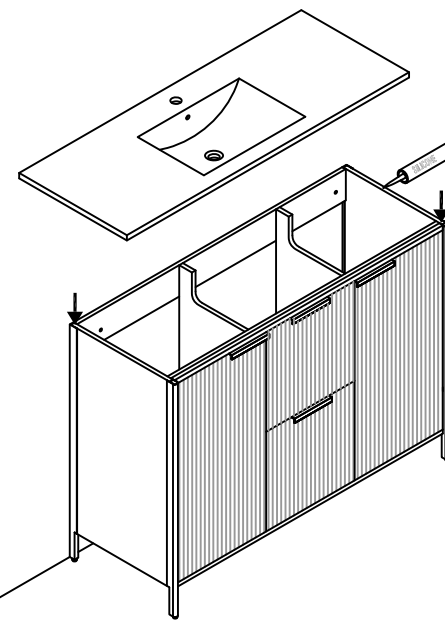
Step 3



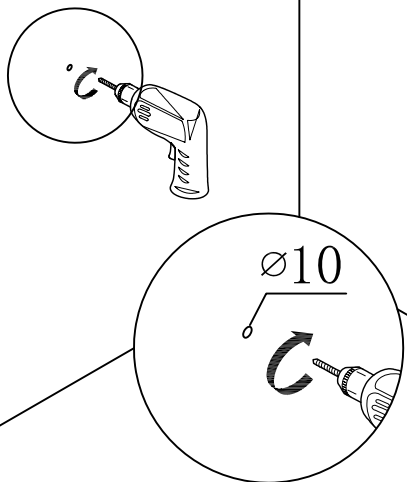
Step 6



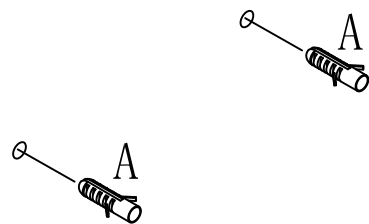
Step 7



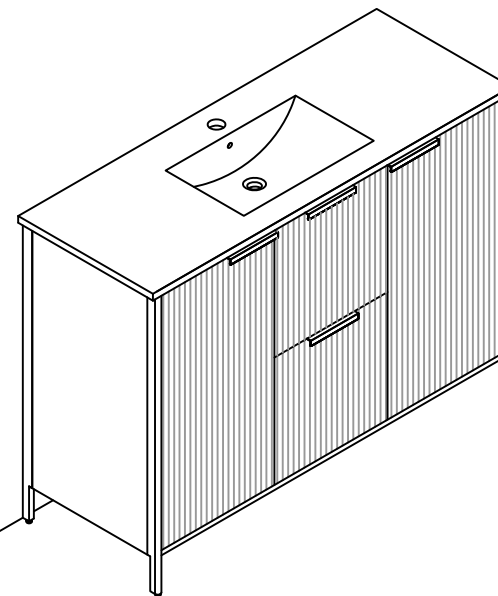
Step 4



Step 5



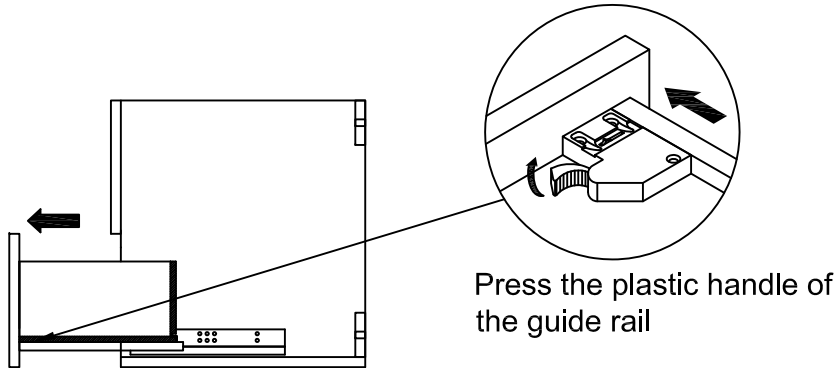
Finished



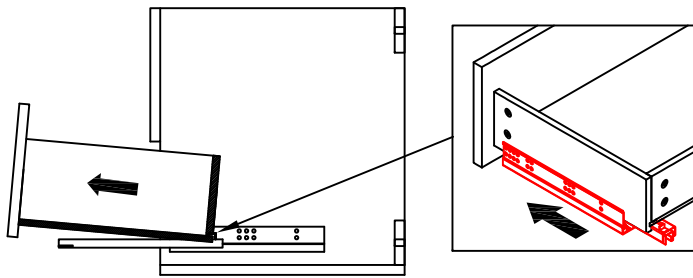
# DRAWER REMOVAL & INSTALLATION

## REMOVAL

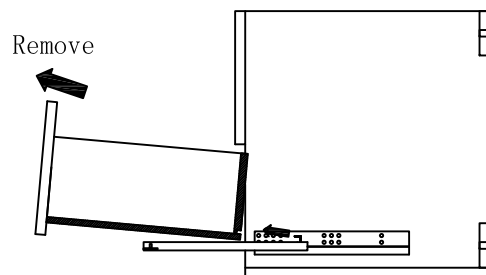
1. Pull the drawer to find the lower rail accessories.



2. Pull the drawer out of the rear hook of the guide rail.

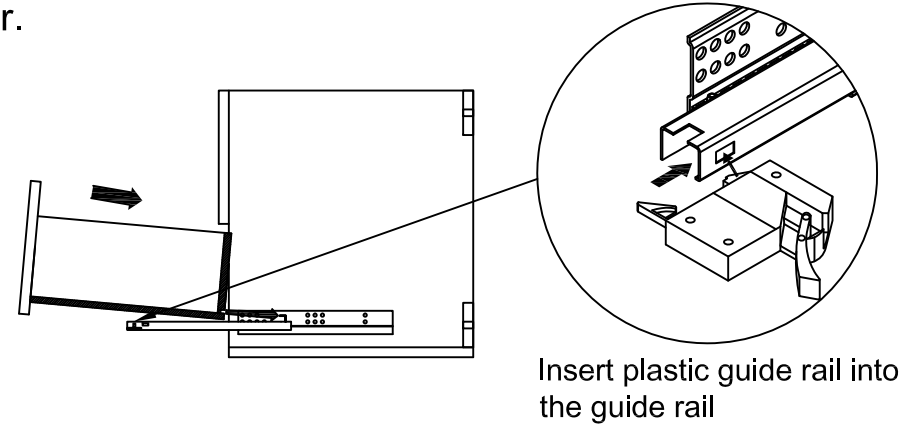


3. Finally pull out the drawer.

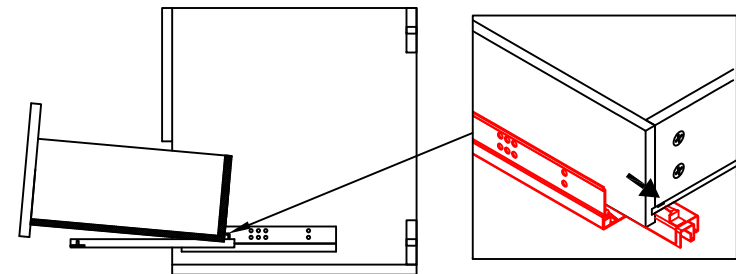


## INSTALLTION

1. Pull the drawer rail, rail socket holes at the back of the drawer.



2. Align the drawer rear hole with the rear hook of the guide rail.



3. Push the drawer.

