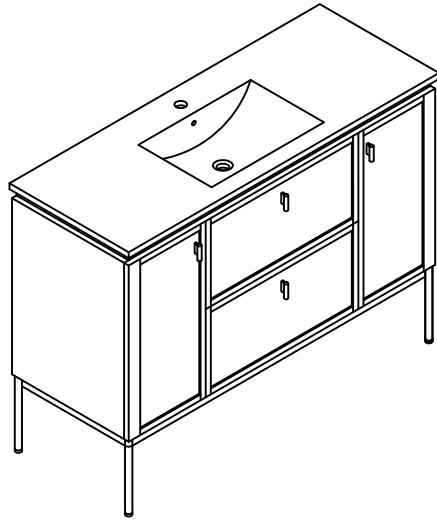


Assembly Instructions

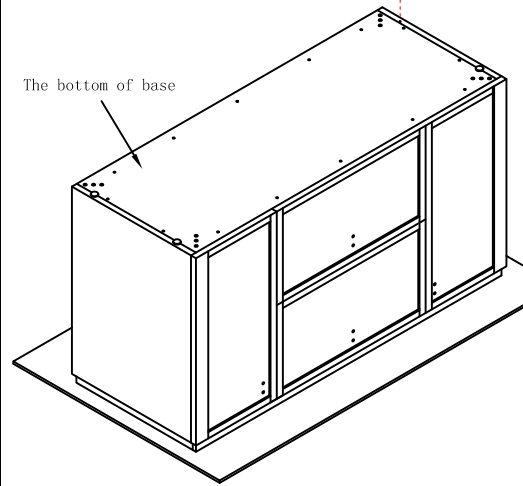
Item No. :0R0 - 48"



Step 1

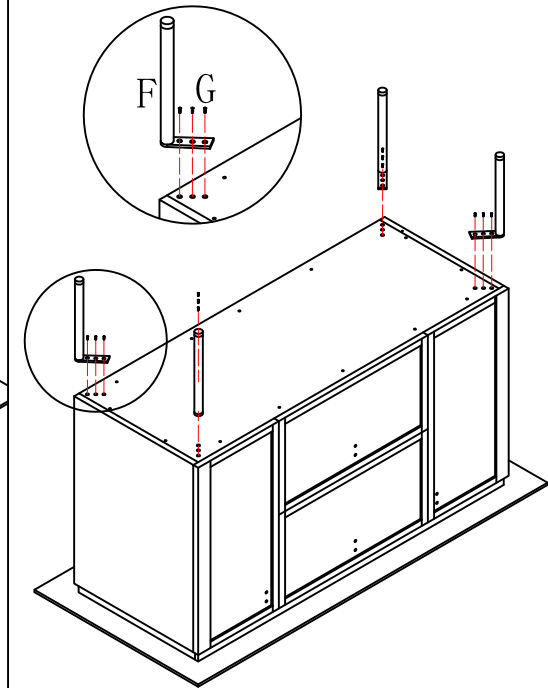
Remove the pin before installing the metal frame

The bottom of base



Put the vanity upside down on the carton box to avoid scratching.

Step 2

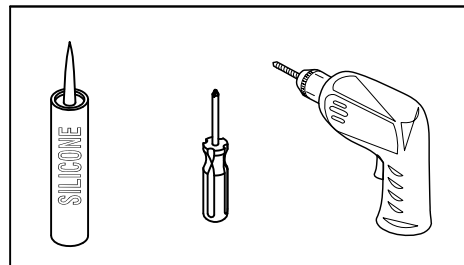


Hardware

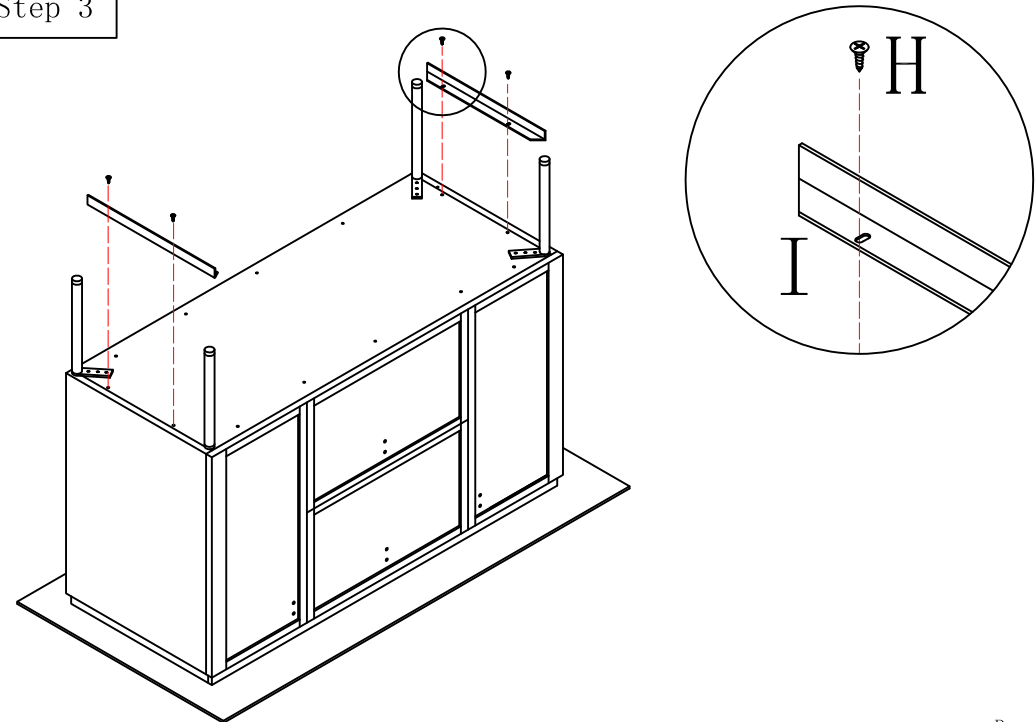
NO.	Draw	QTY
A		2
B		2
C		2
D		4
E	 (M4*0.63")	8
F	 Metal Feet	4
G	 (M4*0.55")	12
H	 (T4*0.55")	14

NO.	Draw	QTY
I	 L=15.28" Left and right metal sheet	2
J	 L=45.2" Front and Back metal sheet	2

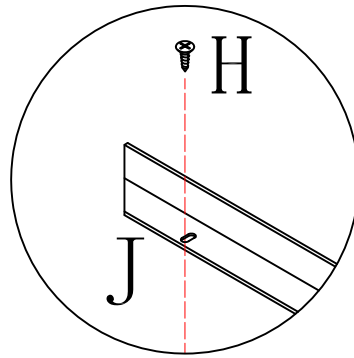
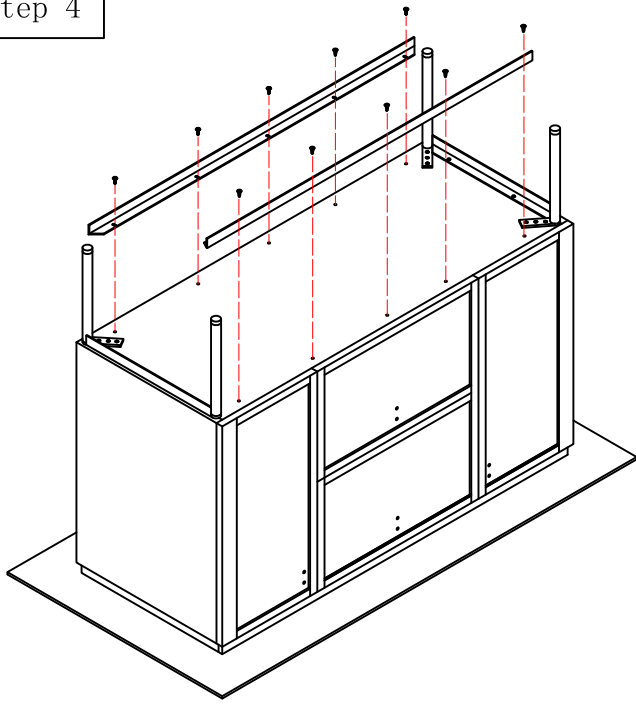
Recommended tools



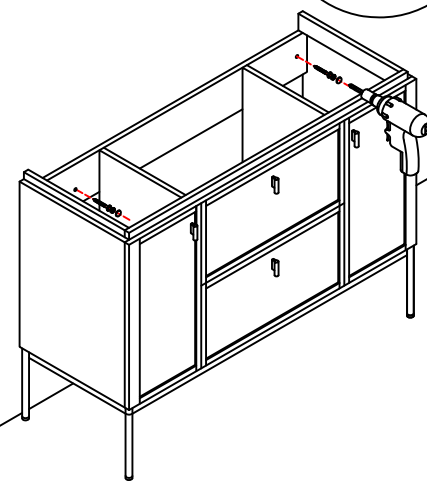
Step 3



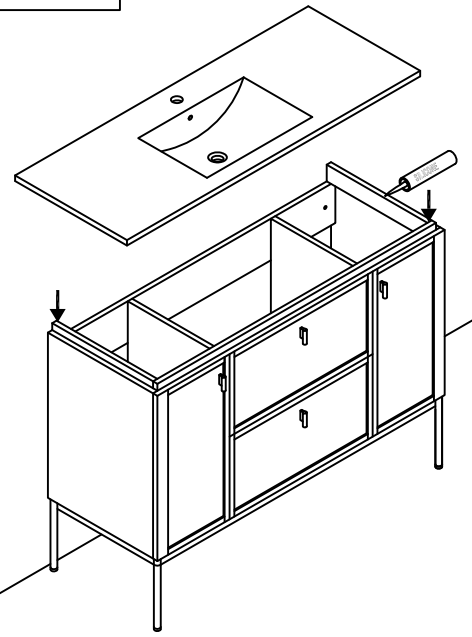
Step 4



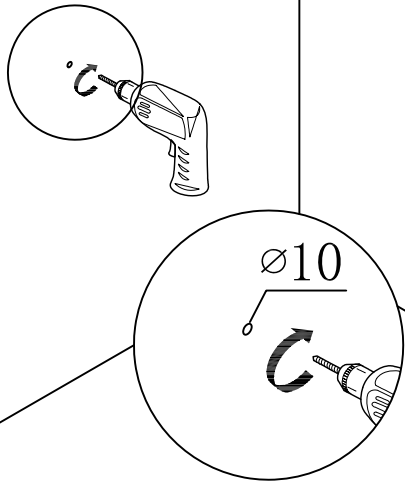
Step 7



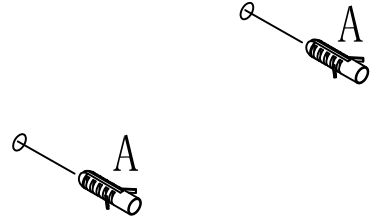
Step 8



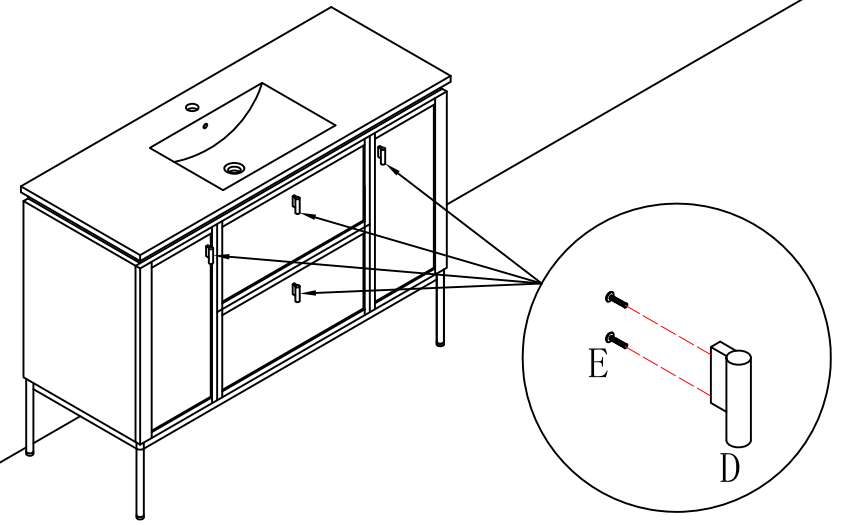
Step 5



Step 6



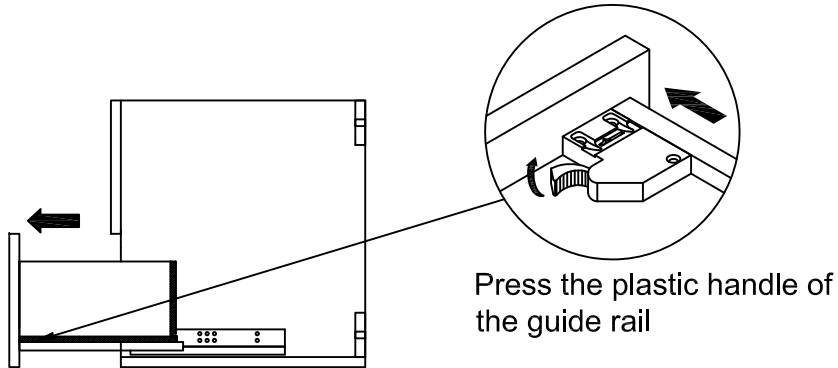
Finished



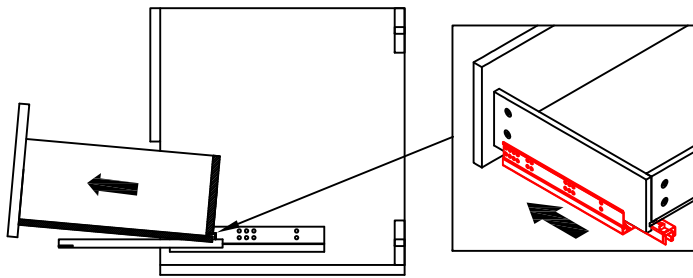
DRAWER REMOVAL & INSTALLATION

REMOVAL

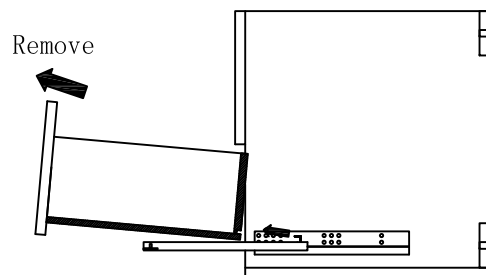
1. Pull the drawer to find the lower rail accessories.



2. Pull the drawer out of the rear hook of the guide rail.

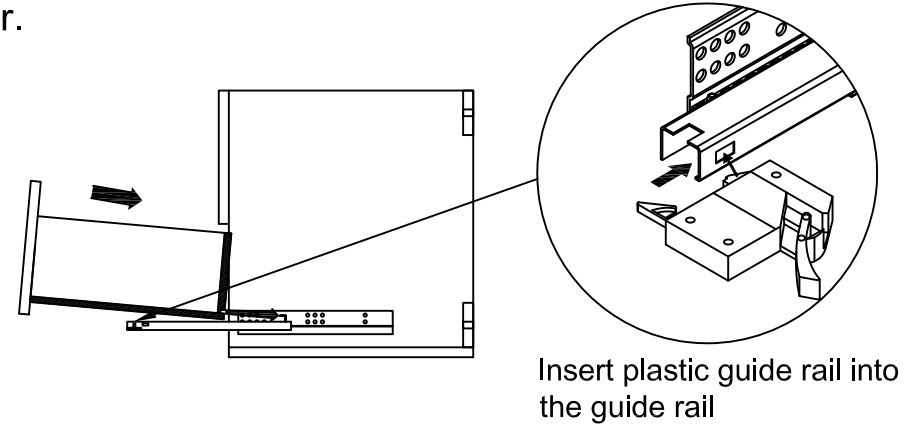


3. Finally pull out the drawer.

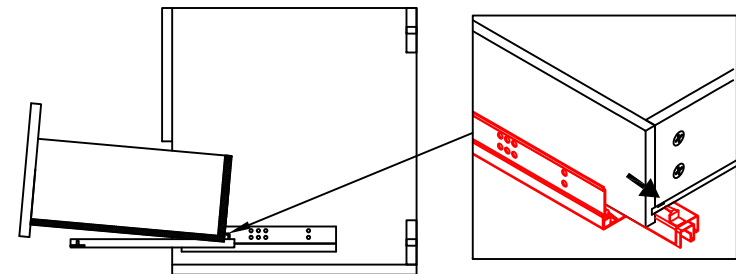


INSTALLTION

1. Pull the drawer rail, rail socket holes at the back of the drawer.



2. Align the drawer rear hole with the rear hook of the guide rail.



3. Push the drawer.

