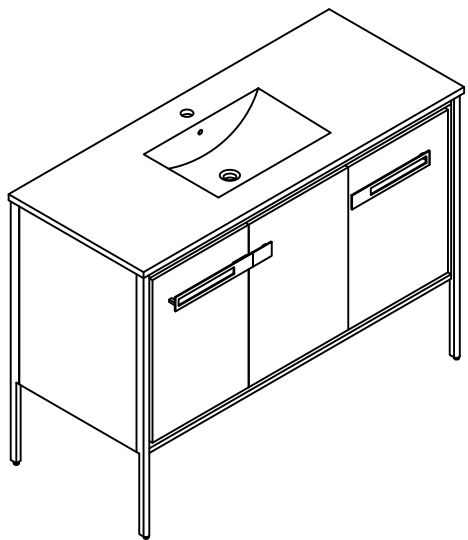
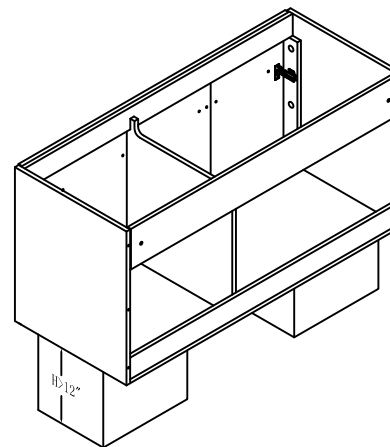


Item No. :PETRA - 48"

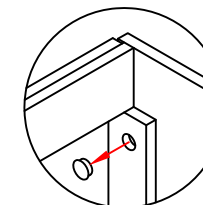


## Step 1

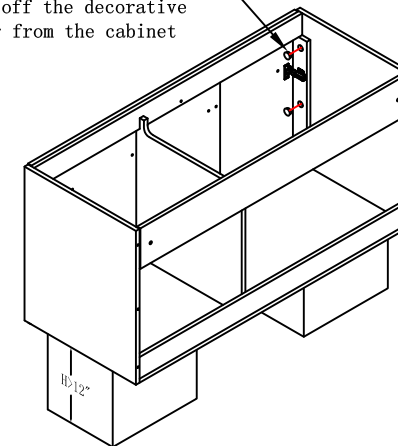


Put the cabinet above 12 inch from the floor.

## Step 2



take off the decorative cover from the cabinet

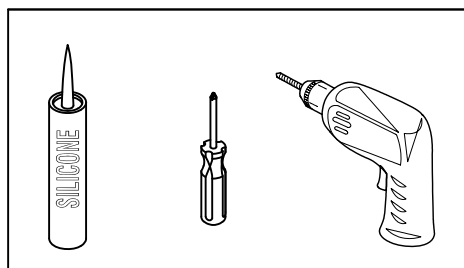


## Hardware

| NO. | Draw           | QTY |
|-----|----------------|-----|
| A   |                | 2   |
| B   |                | 2   |
| C   |                | 2   |
| D   |                | 6   |
| E   |                | 6   |
| F   |                | 1   |
| G   |                | 1   |
| H   | <br>(M4*0.47") | 6   |
| I   | <br>(M4*0.71") | 4   |

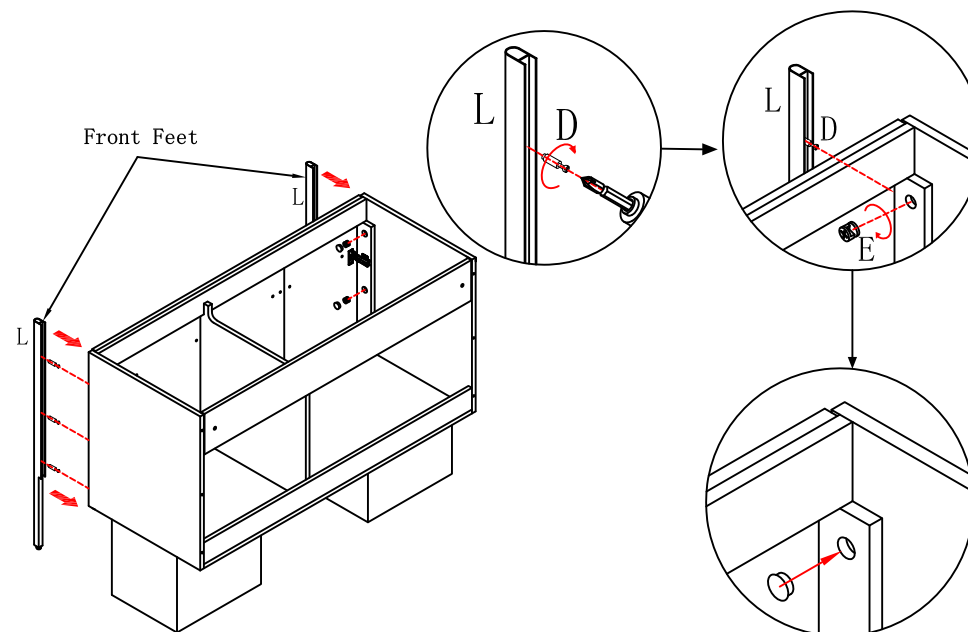
| NO. | Draw                  | QTY |
|-----|-----------------------|-----|
| J   | <br>Back Feet (Right) | 1   |
| K   | <br>Back Feet (Left)  | 1   |
| L   | <br>Front Feet        | 2   |

## Recommended tools

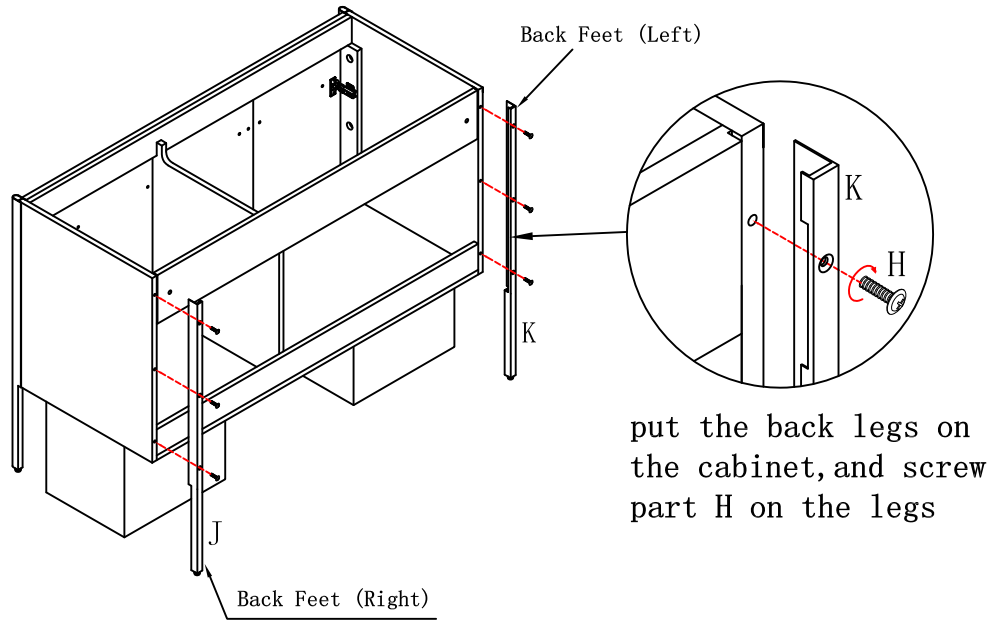


## Step 3

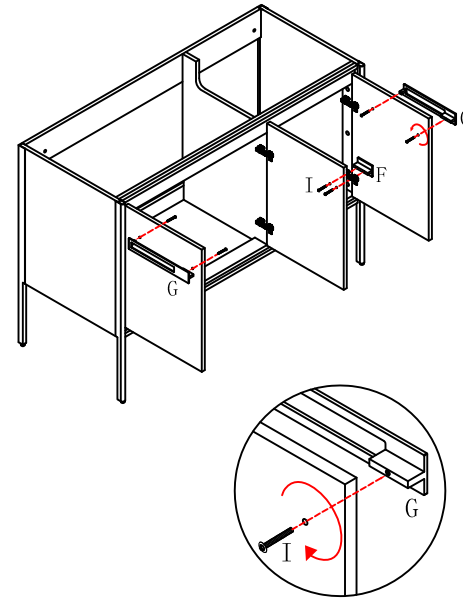
Install screw part D on the front legs, put the legs on the cabinet and screw the cam-lock E tightly, re-cover the decorative cover on the panel.



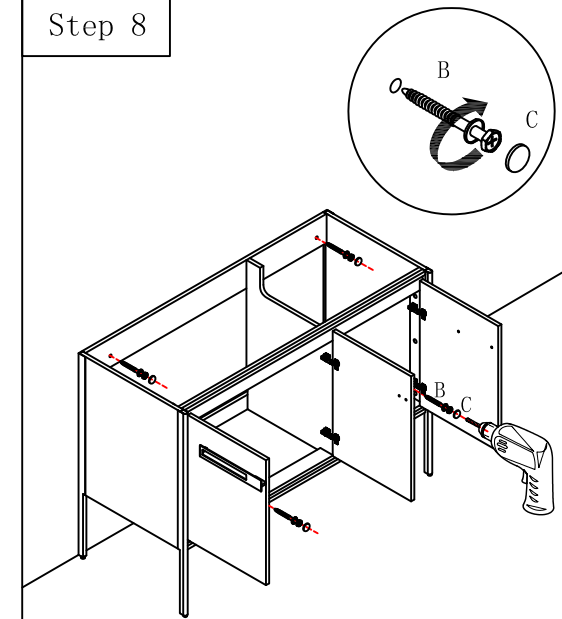
Step 4



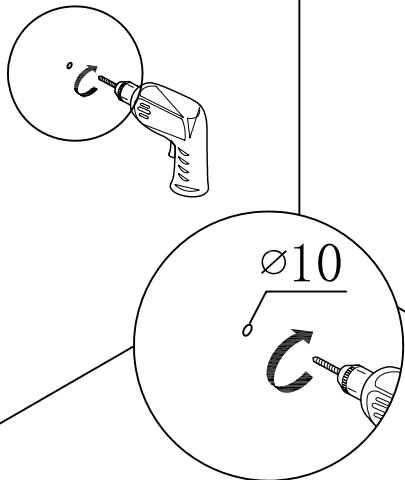
Step 7



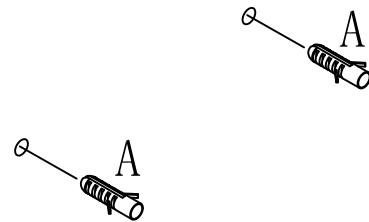
Step 8



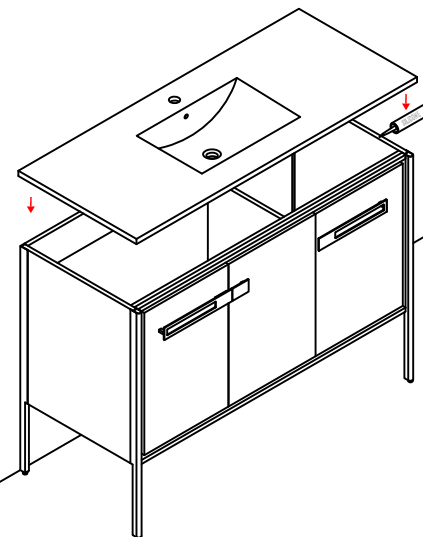
Step 5



Step 6



Step 9



Finished

